



SEE WHAT'S POSSIBLE



GE 30" Built-In Gas 5 Burner Cooktop - Stainless Steel

JGP5030SLSS

Upgrade your kitchen with this 30 inch gas cooktop by GE. The cooktop offers 5 sealed burners including specialty burners. The power boil burner delivers high heat for fast boiling. The simmer burner is ideal for delicate food and sauces. The continuous grates allow you to easily move heavy cookware across the cooktop.

Features

- MAX Burner System
- Recessed Cooktop
- Dishwasher-Safe Grates

Retail Price
\$

SPECIFICATIONS

- Style:** Built-In
- Weight:** 42.0 lbs
- Dim.:** 30"W x 5 1/2"H x 21"D
- Voltage:** 120V; 60Hz; 5A
- Controls:** Knobs
- Burners:** (5) 5,000 , 9,500, 12,000, 15,000 BTU
- Grates:** Continuous, Dishwasher Safe
- Finish:** Stainless Steel w/ Matte Black Grates
- Fuel:** LPG or Natural



📞 PBX (246) 537-0790

🌐 www.esscoonline.com

📱 @esscobarbados

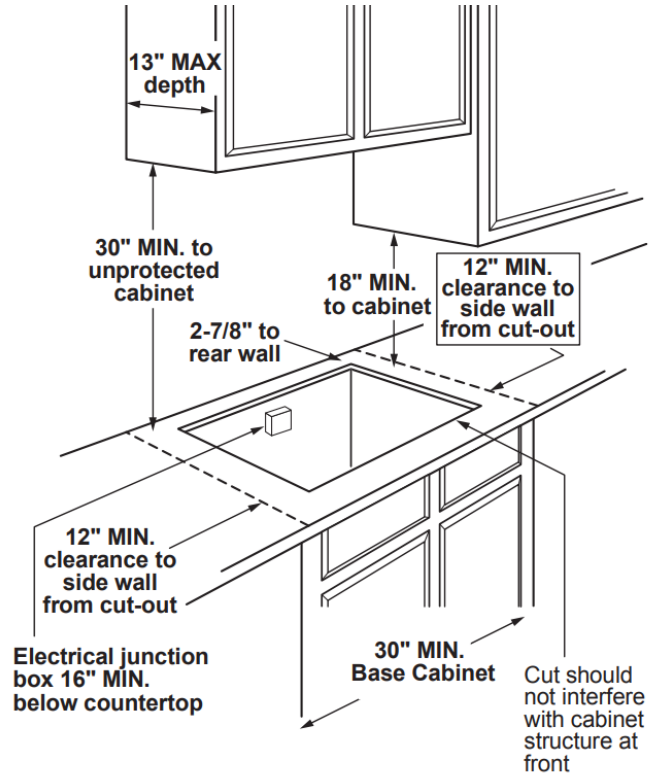
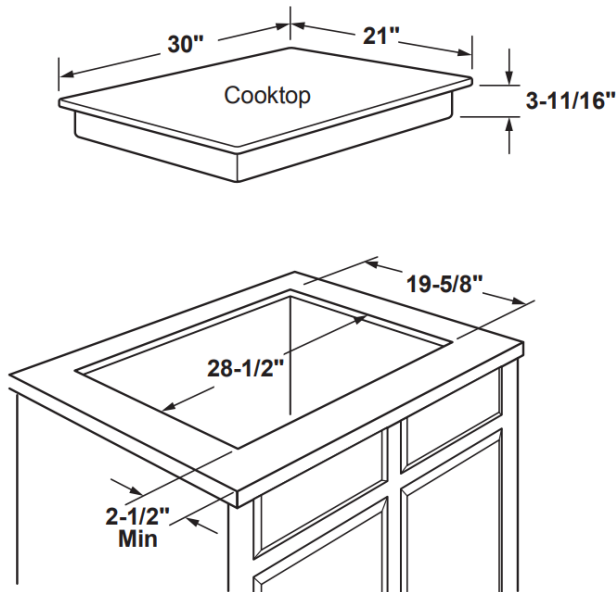
📍 Electric Sales & Service Ltd.



SEE WHAT'S POSSIBLE

GE 30" Built-In Gas 5 Burner Cooktop - Stainless Steel

JGP5030SLSS



Dimension and installation information are shown in inches.
 *Allow 5-3/4" depth at rear for electrical and gas connections

DIMENSIONS AND INSTALLATION INFORMATION

AGA REQUIREMENT: All gas cooktop models require 7/16" free area below cooktop height to combustible material. Requires 18" minimum from countertop to adjacent overhead cabinets.

NOTE: If installing with a GE Profile™ Telescopic Downdraft System, consult both cooktop and downdraft installation instructions packed with product before installing. Cooktop gas/electric supply may need to be re-routed to install downdraft.

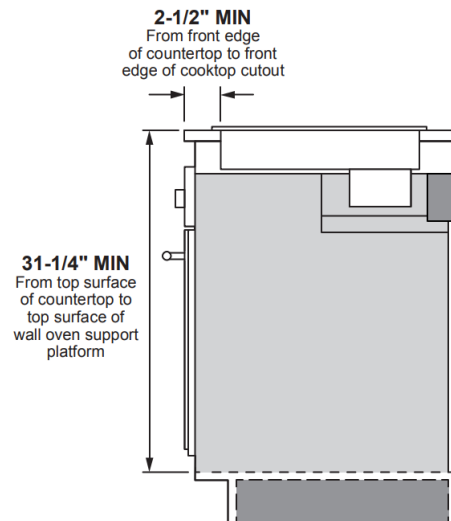
ELECTRICAL RATING: 120V, 60Hz, 5A

INSTALLATION WITH SINGLE WALL OVEN INFORMATION:

30" Gas Cooktops are approved for use over select GE 27" and 30" Wall Ovens and Warming Drawers. 30" and 36" Gas cooktops are approved for use over select 30" Wall Ovens and Warming Drawers. Refer to cooktop and wall oven/warming drawer installation instructions packed with product for current dimensional data.

INSTALLATION INFORMATION: Before installing, consult installation instructions, packed with product, for current dimensional data.

INSTALLATION ABOVE A WALL OVEN



Dim: *All



PBX (246) 537-0790

www.esscoonline.com

@esscobarbados

Electric Sales & Service Ltd.