



A **BRAMA** KITCHEN, A COMPLETE KITCHEN



BRAMA 30/36 INCH GAS RANGE HOOD (STAINLESS)

BR-HD30SR

BR-HD36SR

These stainless Brama Gas Range Hoods, designed for under cabinet installation, make for an attractive and functional addition to any home kitchen. The hood is constructed to match the high powered BTU of their respective gas range. Backed by powerful dual fans and highly efficient 4-speed blower technology, extracting odors, fumes, and chemicals from your kitchen is a breeze. Removable baffle filters also allow for easy cleaning, simply detach and run through the dishwasher—no need to waste hours trying to remove grease from hood crevices.

- Remote control sensor
- Delay power-off timer function
- The hood features one (8" top round) opening

SPECIFICATIONS

Installation Type: Built-In

30 inch Weight: 38 lbs

30 inch Dims: 30"W x 22"D x 10"H

36 inch Weight: 59 lbs

36 inch Dims: 36"W x 22"D x 10"H

Control Type: Touchscreen

Power: Control blower power with 4-speed setting

Certifications:



PBX (246) 537-0790

www.esscoonline.com

@esscobarbados

Electric Sales & Service Ltd.



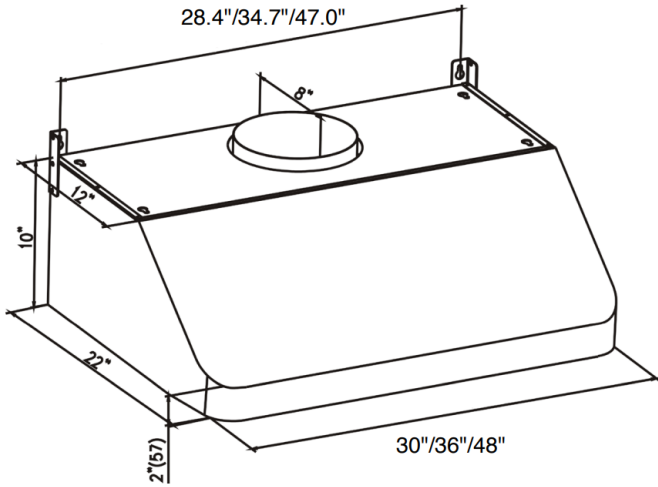
A BRAMA KITCHEN, A COMPLETE KITCHEN

BRAMA 30/36 INCH GAS RANGE HOOD (STAINLESS)

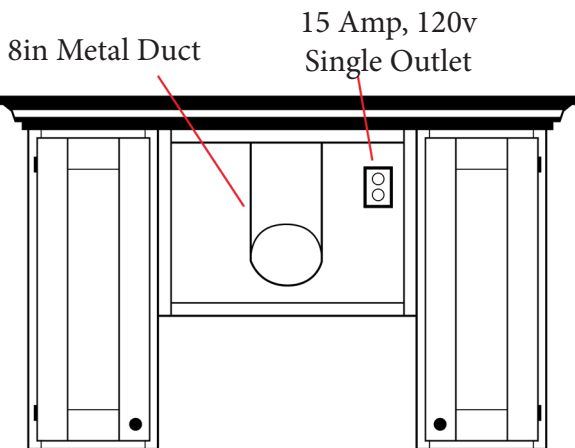
BR-HD30SR

BR-HD36SR

Dimension



30IN & 36IN RANGE HOOD	
Ventilation Details	
Blower Type	4 Speed Dual Fan Exhaust Blower
CFM	425 CFM
Duct Outlet Size	8in
Duct Type	Circular
Filters	Removable Baffle Filters
Ventilation Type	Vertical Horizontal
Venting	External



This appliance must install in ducting version

