

REACH-IN FREEZERS

MODEL: MXCF-23FD-50 MXCF-49FD-50



MXCF-23FD-50



MXCF-49FD-50

Maxx Cold Reach-In Freezers store frequently accessed foodservice products within reach and at the proper storage temperature. The Reach-in Freezers are constructed of durable stainless steel, and include self-closing doors and an oversized refrigeration system to meet the needs of demanding applications.

FEATURES AND CONSTRUCTION

- Constructed of a durable, easy to clean stainless steel exterior and painted aluminum interior
- Self-closing, locking doors with easy to grip recessed handles
- Adjustable heavy-duty wire shelves (3 per section/door)
- Open door alert beeps when door has been open for 3 minutes
- Equipped with 4" swivel casters
- Digital control system
- LED temperature display
- Automatic defrost system
- Automatic interior lighting
- Equipped with integrated condensate evaporator therefore no drain line connection is needed
- Urethane foam insulated walls and doors

ELECTRIC

230V / 50Hz / 1Ph

NOMINAL STORAGE CAPACITY

MXCF-23FD-50..... 18 Cu Ft (510 L)

MXCF-49FD-50..... 40 Cu Ft (1133 L)

3RD PARTY APPROVALS



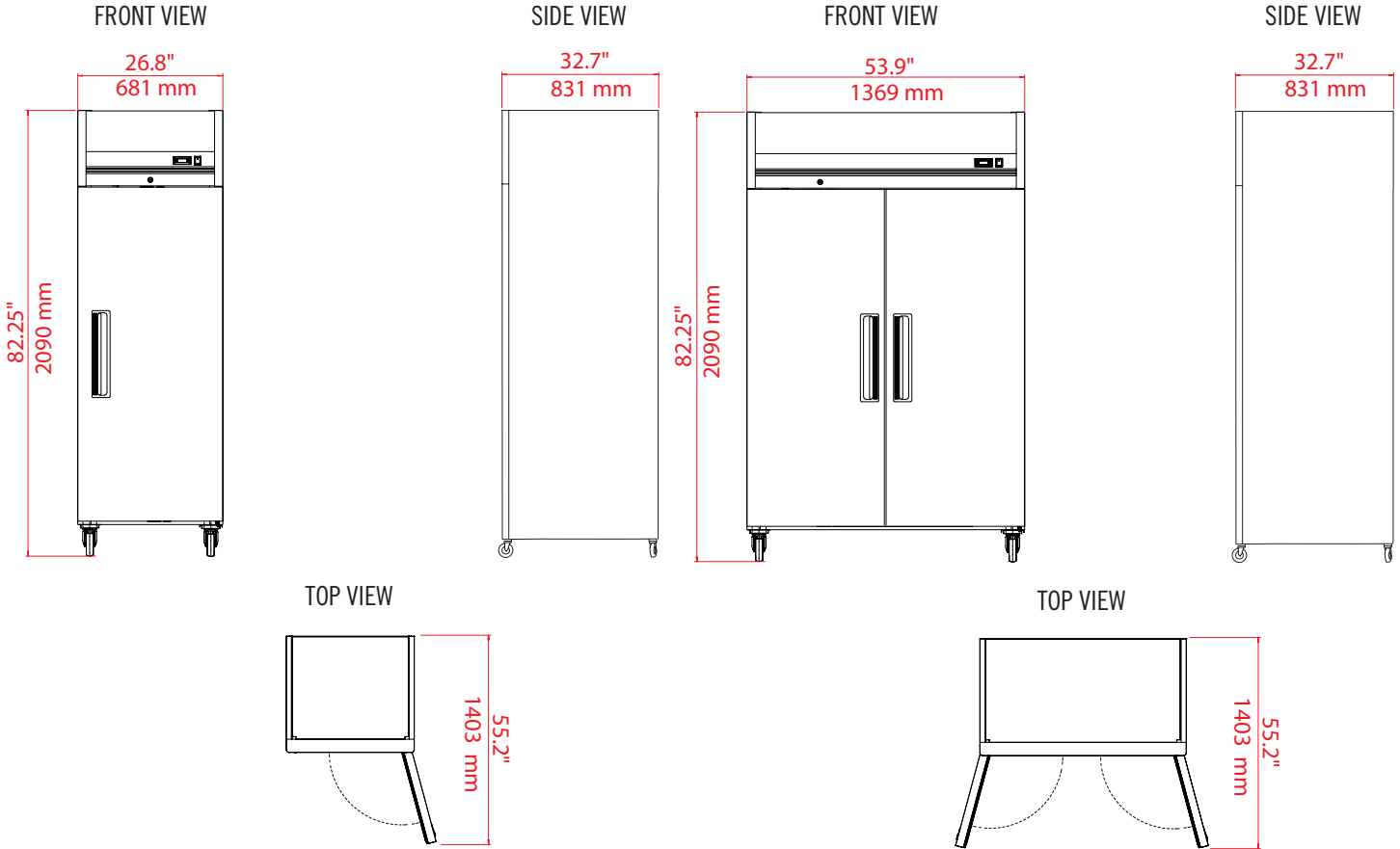
TEMPERATURE

Holding temperature -10°F to 10°F (-23°C to -12°C)

- Efficient forced-air refrigeration system

MXCF-23FD-50

MXCF-49FD-50



MODEL	EXTERNAL DIMENSIONS	INTERNAL DIMENSIONS	NOMINAL CAPACITY	HOLDING TEMPERATURE RANGE	AMP DRAW	SHIPPING WEIGHT	REFRIGERANT AND CHARGE SIZE	DOORS / SHELVES	ELECTRICAL
MXCF-23FD-50	26.8" x 32.7" x 82.25" (681 x 831 x 2090 mm)	22 x 27.5 x 50" (564 x 700 x 1276 mm)	18 Cu Ft (510 L)	-10°F to 10°F (-23°C to -12°C)	4.8A	336 lbs (140 kg)	R404A 14.11 oz (400g)	1 / 3	230V / 50Hz / 1Ph
MXCF-49FD-50	53.9" x 32.7" x 82.25" (1369 x 831 x 2090 mm)	49 x 27.5 x 50" (1254 x 700 x 1276 mm)	40 Cu Ft (1133 L)	-10°F to 10°F (-23°C to -12°C)	5.5A	502 lbs (160 kg)	R404A 26.63 oz (755 g)	2 / 6	230V / 50Hz / 1Ph

INSTALLATION

- Shorter caster options are available to lower the overall height of the unit