

**MenuMaster microwave oven  
- Stainless**

**RMS510TS2**

This microwave oven has a user-friendly 6-minute timer with LED indication and an acoustic signal at the end of the program. When the door is opened during heating, the timer automatically returns to 0. The door opens 90° and the viewing window is made of hardened glass.



**Features**

- 20 programmable settings
- 3 Cooking stages
- LED Timer
- Interior lighting

**Retail Price**

\$

**SPECIFICATIONS**

**Installation:** Free Standing

**Weight:** 13.6kg

**Dim.:** 20" W x 12 ¼" H x 16 ½" D

**Voltage:** 230V/1000W /15A / 50Hz

**Capacity:** 0.8 cu. ft. (23L)

**Housing:** All stainless steel

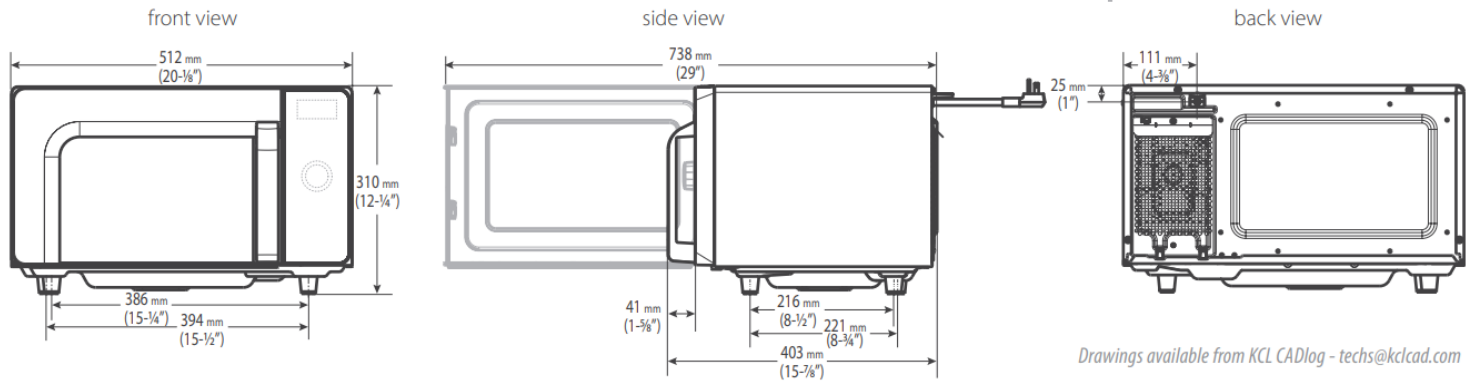
**Dish Plate:** Ceramic bottom plate

**Controls:** Touch

**Levels:** 4 Power levels



## MENUMASTER Commercial Microwave 1000W - Stainless Steel



Features	
	Touch Models (TS)
Configuration	Countertop
Stackable	No
Display	LED
Control System	Touchpad
Programmable Control	Yes, 10 pads
Braille	Overlay available
Settings Programmable	20
Max. Cooking Time	30:00
Microwave Distribution	Rotating stirrer, bottom
Power Levels	5
Defrost	Yes, 20% power
Time Entry Option	Yes
Multiple Portion Setting	Yes, X2
Stage Cooking	4 stages
Interior Light	Yes, LED, 42lm
Automatic Voltage Sensor	No
Air Filter	No
Signal	End of cycle, adjustable
Door Handle	Grab & Go
Exterior Finish	Stainless steel
Interior Finish	Stainless steel

### Power Output

- 1000 watts of power
- Perfect replacement for inappropriate domestic ovens used in foodservice applications

### Available with Touch or Dial Controls

- **Touch controls:**
  - 20 programmable menu items simplifies cooking
  - 5 power levels and 4 cooking stages for cooking flexibility
  - Multiple quantity pad calculates the proper cooking times for multiple portions
- **Dial Controls:**
  - Timer automatically resets to zero if door is opened during heating
  - 6 minute digital timer lights up for "at-a-glance" monitoring
  - Full power only for simple operation

### Easy to Use

- See-through door and lighted interior for monitoring without opening the door
- 23 liter (0.8 cubic foot) capacity accommodates a 305mm (12") platter, prepackaged foods and single servings

### Certified Oven for Commercial Applications

- Tested to higher standards for a commercial rating —required by most commercial insurance policies and health inspectors
- Interlock safety switch is tested to 4 times the standard of residential ovens
- Constructed to withstand the foodservice environment, multiple users and variable ambient temperatures
- Compared to a residential oven, this oven is more powerful for faster heating and better quality results
- Engineered for a simple, "self-service" operation

### Easy to Maintain

- Stainless steel exterior wrap, door, and oven interior for increased durability
- Sealed-in Borosilicate Glass shelf for easy cleaning