



PROFESSIONAL PERFORMANCE

General Commercial Microwave - 1000W - Stainless Steel

GEW1050E

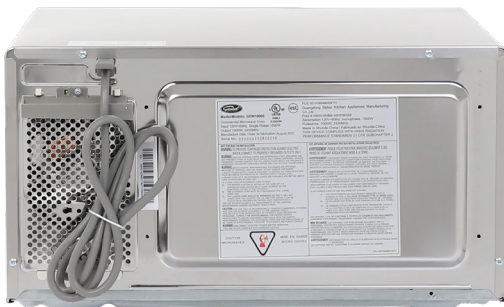
Designed for simplicity of use and performance, these units offer durable construction with large metal handle, Stainless Steel exterior and interior, ten (10) different power levels, multi stage cooking, ten digital stored programs, touch pad and 1000W cooking power.

Features

- Reinforced flexible door latches
- S.Steel exterior & interior
- Audible end of cycle alarms
- Large easy grip handle

Retail Price

\$



SPECIFICATIONS

Dim.:	20"W x 12"H x 14"D
Weight:	40.0 lbs
Capacity:	1 Cu. Ft
Electrical:	220V 50Hz 1000W 6.3A
Power:	1000W
Levels:	10 Power Levels
Display:	LED Lighted Display
Controls:	Digital Touch-Pad
Memory	10 menus



PBX (246) 537-0790

www.esscoonline.com

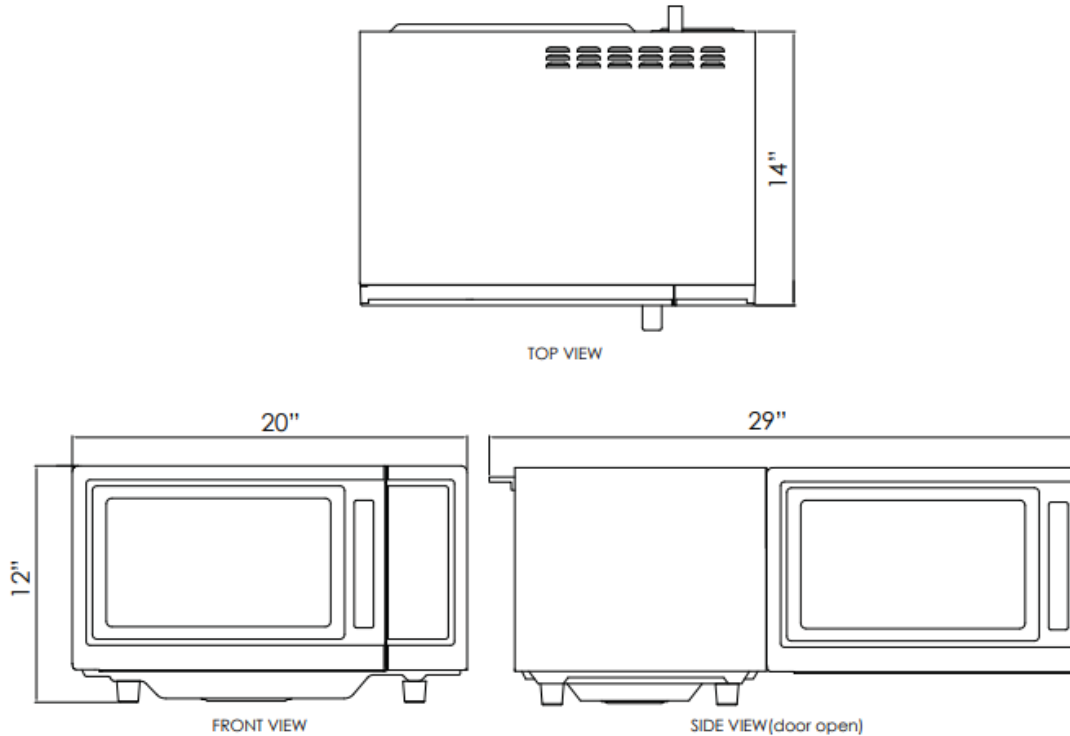
@esscobarbados

Electric Sales & Service Ltd.



PROFESSIONAL PERFORMANCE

General Commercial Microwave 1000W - Stainless Steel



Dimensional Data

Model	Cavity Size	Electrical	Power Output	Power Consumption	Power Levels	Interior/ Exterior	Control Method	Display	Approvals	Net/ Shipping Weights	Dimensions
GEW1000E	1 cu. ft.	120/60/1, 220/50/1, 220/60/1	1000 Watts	1500 Watts	10	Stainless Steel	Digital Touch-Pad	LED	UL/ETL	40 lbs. / 42 lbs.	20"(W) 12"(H) 14"(D)

Semi-commercial microwave oven. Including heavy duty metal handle and durable interlock system. Stainless steel body and cavity, cavity size 1.0 cubic foot. Digital

touch-pad controls, LED display. With UL, and ETL approvals. Voltage 120/60/1, 220/50/1, 220/60/1



☎ PBX (246) 537-0790

🌐 www.esscoonline.com

📷 @esscobarbados

📘 Electric Sales & Service Ltd.