



**NSWD14**



**NSFD14**

## SUNROC Wall Mounted Water Cooler

**NSWD14 - SHORT      NSFD14 - TALL**

Enjoy safe chilled drinking water from Sunroc refrigerated drinking fountain. Sunroc is a world leader in the manufacturing of Water Coolers. These wall mounted units feature a sandstone powder coated finish with a stainless steel top. These units are certified to NSF/ANSI Standard 61, Annex G (AB1953)

### Features

- Lead-Free waterways
- Stainless Steel Top
- High-Efficiency Cooling Tank
- Welded Heavy-Gauge Frame

Retail Price
\$

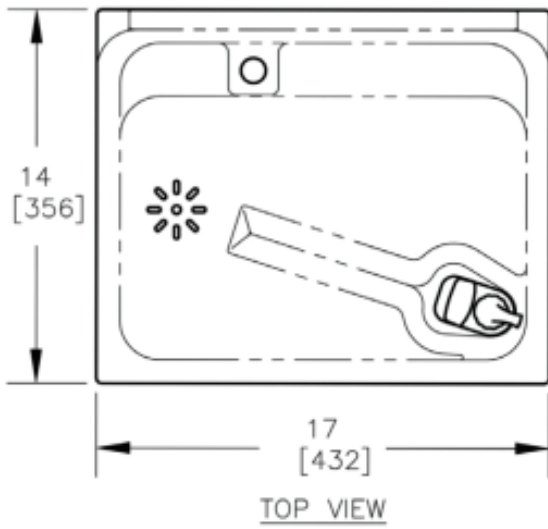
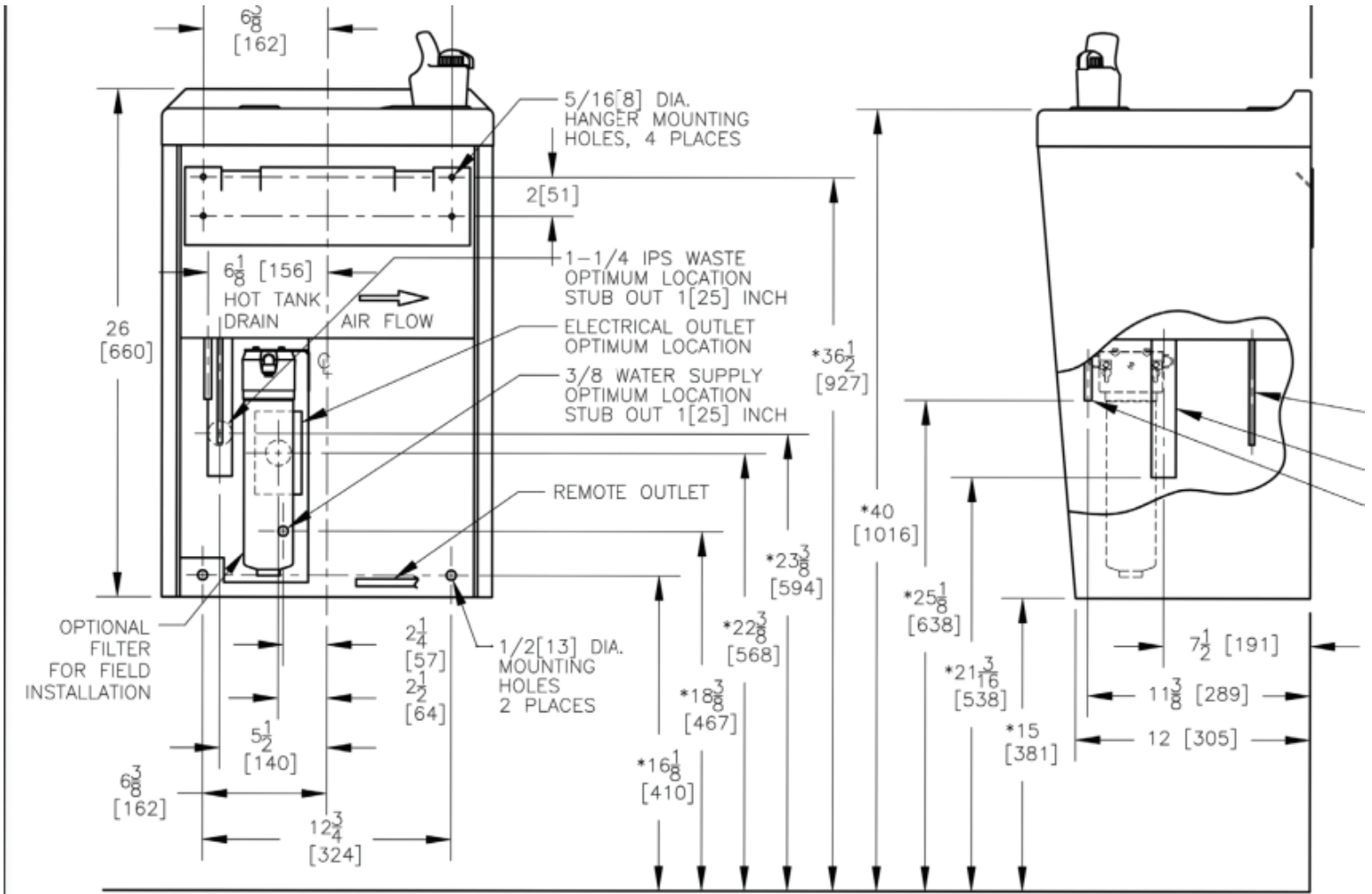
### SPECIFICATIONS

<b>Installation Type:</b>	Wall Mounted
<b>Net Weight:</b>	76.0 lbs - short    94.0 lbs - tall
<b>Dimensions:</b>	17"W x 26"H x 14"D
<b>Dimensions [Tall] :</b>	17"W x 40"H x 14"D
<b>Voltage:</b>	115V; 60Hz; 4.4amp
<b>Refrigerant:</b>	R-134a
<b>Temperature:</b>	50° F Drinking Water
<b>Rated Capacity:</b>	14.0 gph
<b>Finish:</b>	Sandstone powder coat



Components in this fountain are lead free as defined by the Safe Drinking Water Act Amendments of 1986, and the Lead Contamination Control Act of 1988.

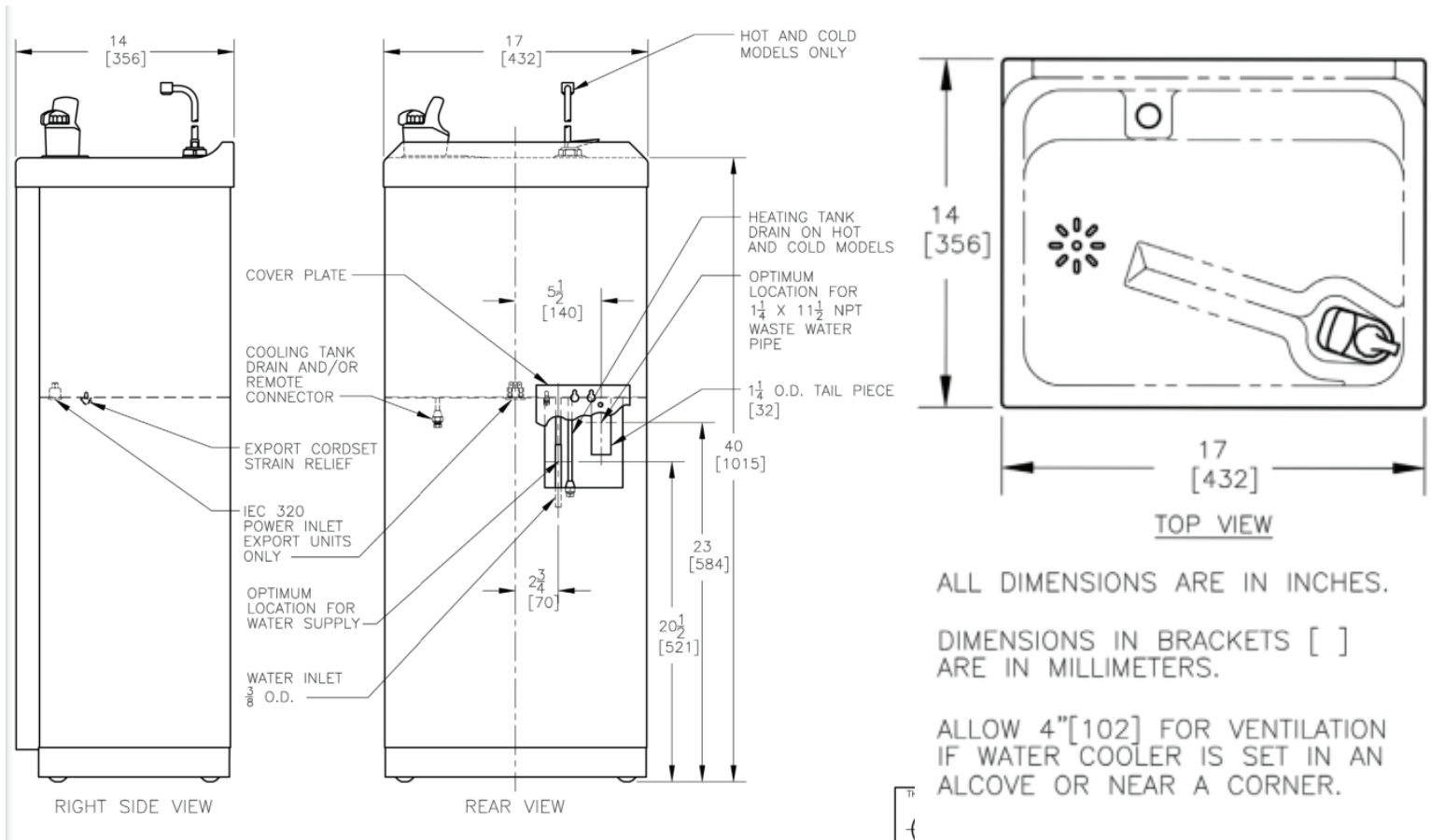
## SUNROC NSW14



### NOTES:

1. TRAP, STOP VALVE AND ELECTRICAL OUTLET NOT FURNISHED.
2. ALLOW 4 INCHES [102 MM] MIN. PER SIDE FOR VENTILATION.
- \*3. RECOMMENDED ADULT HEIGHT INSTALLATION SHOWN. ADJUST VERTICAL DIMENSIONS AS REQ'D TO COMPLY WITH FEDERAL, STATE, AND LOCAL CODES.
4. ALL DIMENSIONS ARE IN INCHES. DIMENSIONS IN BRACKETS [ ] ARE IN MILLIMETERS.

## SUNROC NSFD14



Applicable to model NSFD8. Model NSFD14 is not NSF certified.