



A **BRAMA** KITCHEN, A COMPLETE KITCHEN



## BRAMA STAINLESS DISHWASHER

**BR-DWSH01-S**

The Brama Stainless Dishwasher is perfect for those who love to clean up dishes and utensils quick and stress-free. This elegant, but sturdy unit features an easy to clean stainless steel door, full-length horizontal door handle, specialty racks, smart wash options and a multiple filter system.

- **6 Washing Programs:** Pots & Pans, Normal Wash, China Crystal, Quick Wash, Rinse Only, Energy Saver
- **6 Options:** AIR Change, Steam Wash, Turbo Wash, Heating Dry, Sanitize, Hi-Temp Wash (hotter final rinse)
- **Self-cleaning filtration system**
- **Bottom and upper racks for dishes, and top rack for silverware**
- **Adjustable and flexible racking system**
- **Soil sensing smart wash, optimum cycle, and multiple filter system: washes according to the dirt degree of tableware (normal program)**

## SPECIFICATIONS

**Installation Type:** Built-In

**Weight:** 100 lbs

**Dimensions:** 23 7/8"W x 24 1/2"D x 33 3/4"H

**Quietest operation:** 44dB

**Dispensers:** Detergent and Rinse Aid

**Electronic Specs:** 120V / 60Hz / 50W (Wash) 840W (Heat.)

**Control Type:** Touch with hidden controls

**Capacity:** Accommodates up to 16 place settings

**Certifications:**



 **PBX (246) 537-0790**

 **www.esscoonline.com**

 **@esscobarbados**

 **Electric Sales & Service Ltd.**

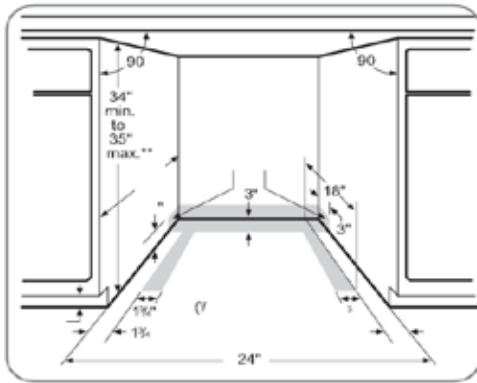


# A BRAMA KITCHEN, A COMPLETE KITCHEN

## BRAMA 36-INCH GAS RANGE (STAINLESS) INSTALL GUIDE

BR-36SSGG

### Installation Preparation



- The rough cabinet opening must be at least 24" deep. The opening should be 35" max. height.

- The dishwasher must be installed so that drain hose is no more than 10 feet in length for proper drainage.
- The dishwasher must be fully enclosed on the top, sides and back, and must not support any part of the enclosure.

**CLEARANCES:** When installed into a corner, allow 2" min. clearance between dishwasher and adjacent cabinet, wall or other appliances. Allow 25-5/8" min. clearance from the front of the dishwasher for door opening. Figure B



### DRAIN REQUIREMENTS

- Follow local codes and ordinances.
- Do not exceed 10 feet distance to drain.
- Do not connect drain lines from other devices to the dishwasher drain hose.
- Dishwasher must be connected to waste line with an air gap (not supplied) or 32" minimum high drain loop, depending on local codes and ordinances to prevent back flow into the dishwasher.
- Air gap must be used if waste tee or disposer connection is less than 18" above the floor to prevent siphoning.

### ELECTRICAL REQUIREMENTS

- This appliance must be supplied with 120V, 60Hz., and connected to an individual properly grounded branch circuit, protected by a 15 or 20 ampere circuit breaker or time delay fuse.
- Wiring must be 2 wire with ground.
- If the electrical supply does not meet the above requirements,

